

Natura Clad-Classic 92 Thermal Performance Report

Date: 6/28/2023
 Type: Tilt / Turn Window
 Glass: 48mm Planitherm XN (#2, #5), 4/18/4/18/4

North American Standard

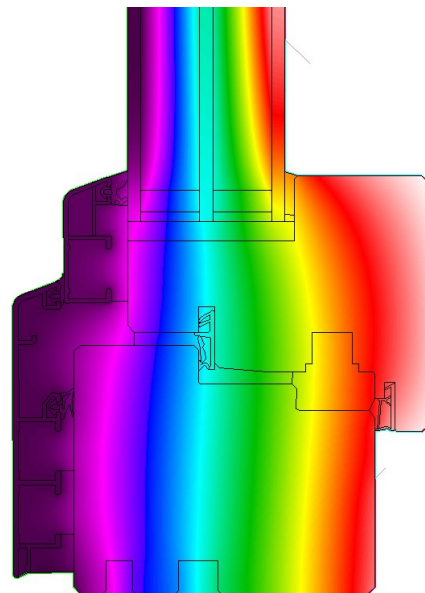
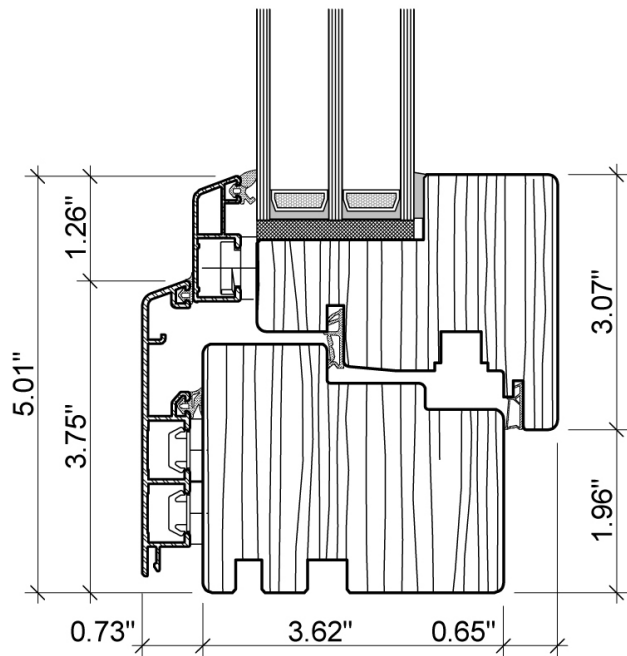
Performance values modeled with LBNL THERM & Window7 per NFRC 100 & 200
 47" x 59" Window size @ standard 0°F exterior temperature

Glass:	Ug = .126 Btu/hr-ft ² F	SHGC = .51	VLT = .74	
Window:	Uw = .147 Btu/hr-ft ² F	SHGC = .33	VLT = .48	CR = 76

European Standard

Performance values modeled with LBNL THERM & Window7 per ISO 673 / EN 673
 48" x 58" Window size @ standard 32°F exterior temperature

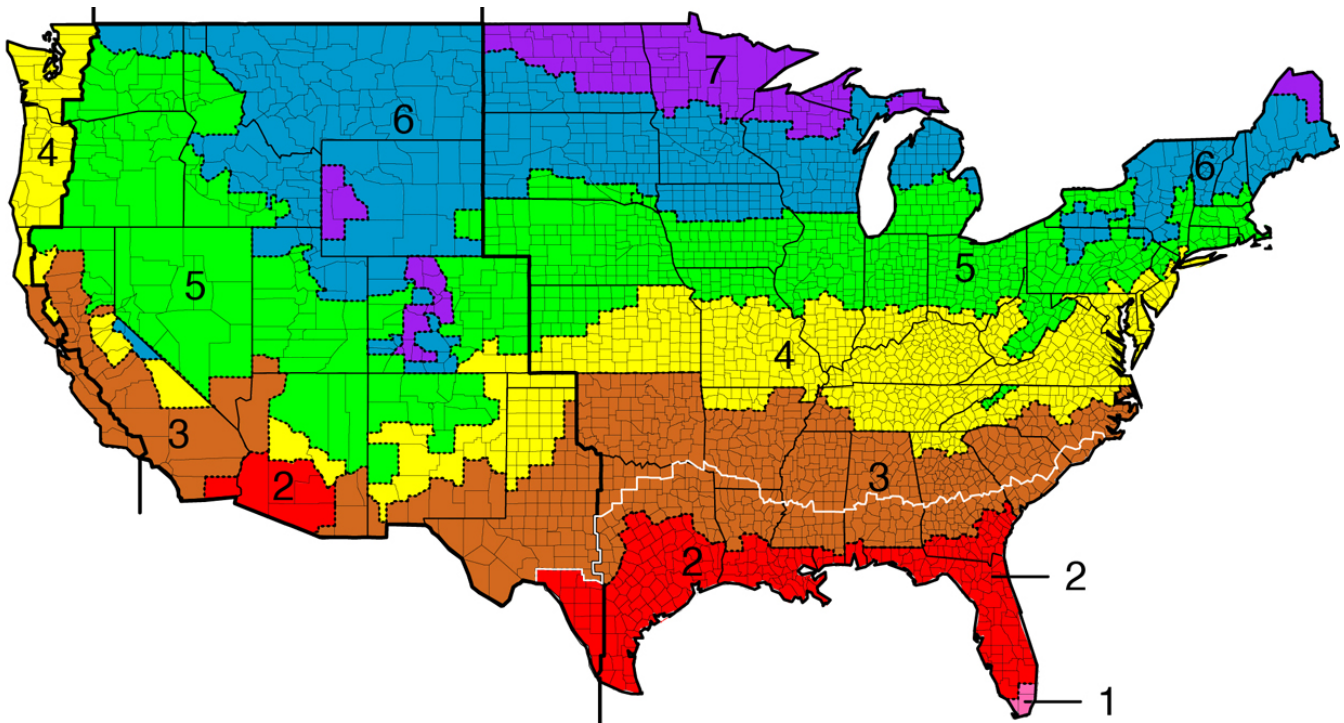
Frame:	Uf = .156 Btu/hr-ft ² F	Frame (sill):	Uf = .162 Btu/hr-ft ² F
Spacer:	Ψ = .0150 Btu/hr-ft-F	Spacer (sill):	Ψ = .0150 Btu/hr-ft-F
Glass:	Ug = .097 Btu/hr-ft ² F		
Window:	Uw = .130 Btu/hr-ft ² F		



Natura Clad-Classic 92 Thermal Performance Report

Climate Specific Performance

Performance values modeled with LBNL THERM & Window7 per ISO 673 / EN 673
48" x 58" Window size @ climate specific winter exterior temperatures



Frame: $U_f = .155$ Btu/hr-ft²F Frame (sill): $U_f = .162$ Btu/hr-ft²F
 Spacer: $\Psi = .0146$ Btu/hr-ft-F Spacer (sill): $\Psi = .0147$ Btu/hr-ft-F
 Glass: SHGC = .51

Climate Zone	Glass U-Value Btu/hr-ft ² F	Window U-Value Btu/hr-ft ² F
Zone 7 (10°F)	.112	.139
Zone 6 (25°F)	.103	.133
Zone 5 (28°F)	.100	.131
Zone 4 (36°F)	.096	.128