

Natura 92

Thermal Performance Report

Date: 12/17/2019
 Type: Fixed Window
 Glass: 48mm Planitherm XN (#2, #5), 4/18/4/18/4

North American Standard

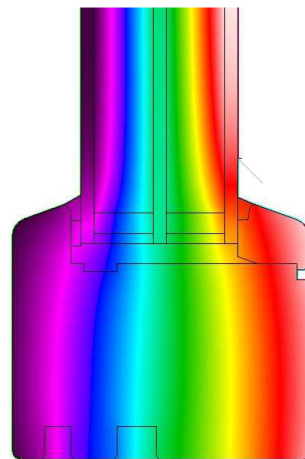
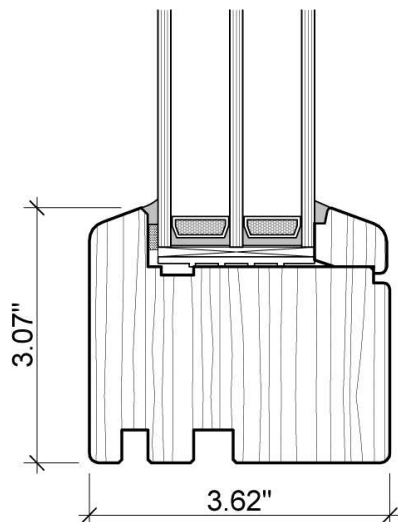
Performance values modeled with LBNL THERM & Window7 per NFRC 100 & 200
 47" x 59" Window size @ standard 0°F exterior temperature

Glass:	$U_g = .126$ Btu/hr-ft ² F	SHGC = .51	VLT = .74	
Window:	$U_w = .149$ Btu/hr-ft ² F	SHGC = .40	VLT = .58	CR = 79

European Standard

Performance values modeled with LBNL THERM & Window7 per ISO 673 / EN 673
 48" x 58" Window size @ standard 32°F exterior temperature

Frame:	$U_f = .177$ Btu/hr-ft ² F	Frame (sill):	$U_f = .188$ Btu/hr-ft ² F
Spacer:	$\Psi = .0148$ Btu/hr-ft-F	Spacer (sill):	$\Psi = .0124$ Btu/hr-ft-F
Glass:	$U_g = .097$ Btu/hr-ft ² F		
Window:	$U_w = .127$ Btu/hr-ft ² F		

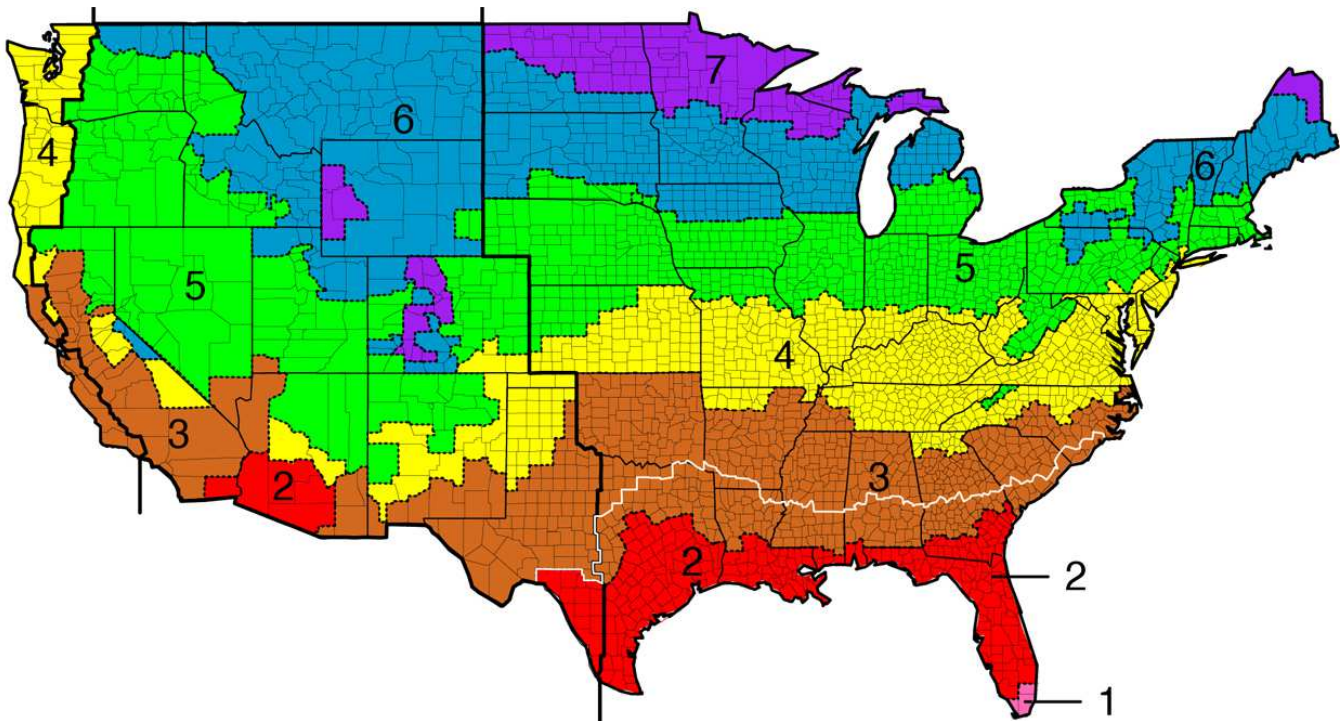


Natura 92

Thermal Performance Report

Climate Specific Performance

Performance values modeled with LBNL THERM & Window7 per ISO 673 / EN 673
48" x 58" Window size @ climate specific winter exterior temperatures



Frame: $U_f = .177$ Btu/hr-ft²F Frame (sill): $U_f = .188$ Btu/hr-ft²F
 Spacer: $\Psi = .0145$ Btu/hr-ft-F Spacer (sill): $\Psi = .0153$ Btu/hr-ft-F
 Glass: SHGC = .51

Climate Zone	Glass U-Value Btu/hr-ft ² F	Window U-Value Btu/hr-ft ² F
Zone 7 (10°F)	.112	.139
Zone 6 (25°F)	.103	.132
Zone 5 (28°F)	.100	.130
Zone 4 (36°F)	.096	.126