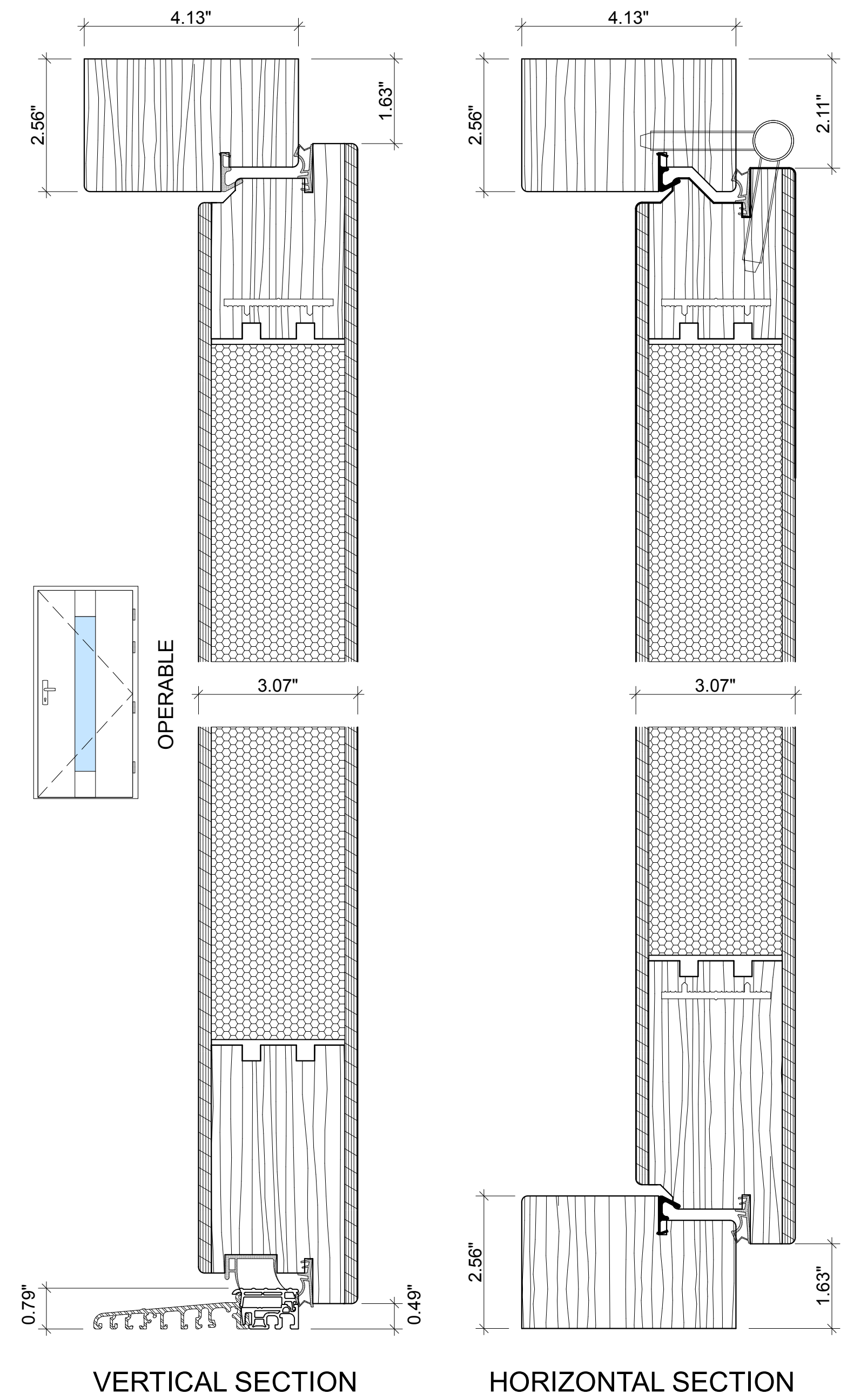
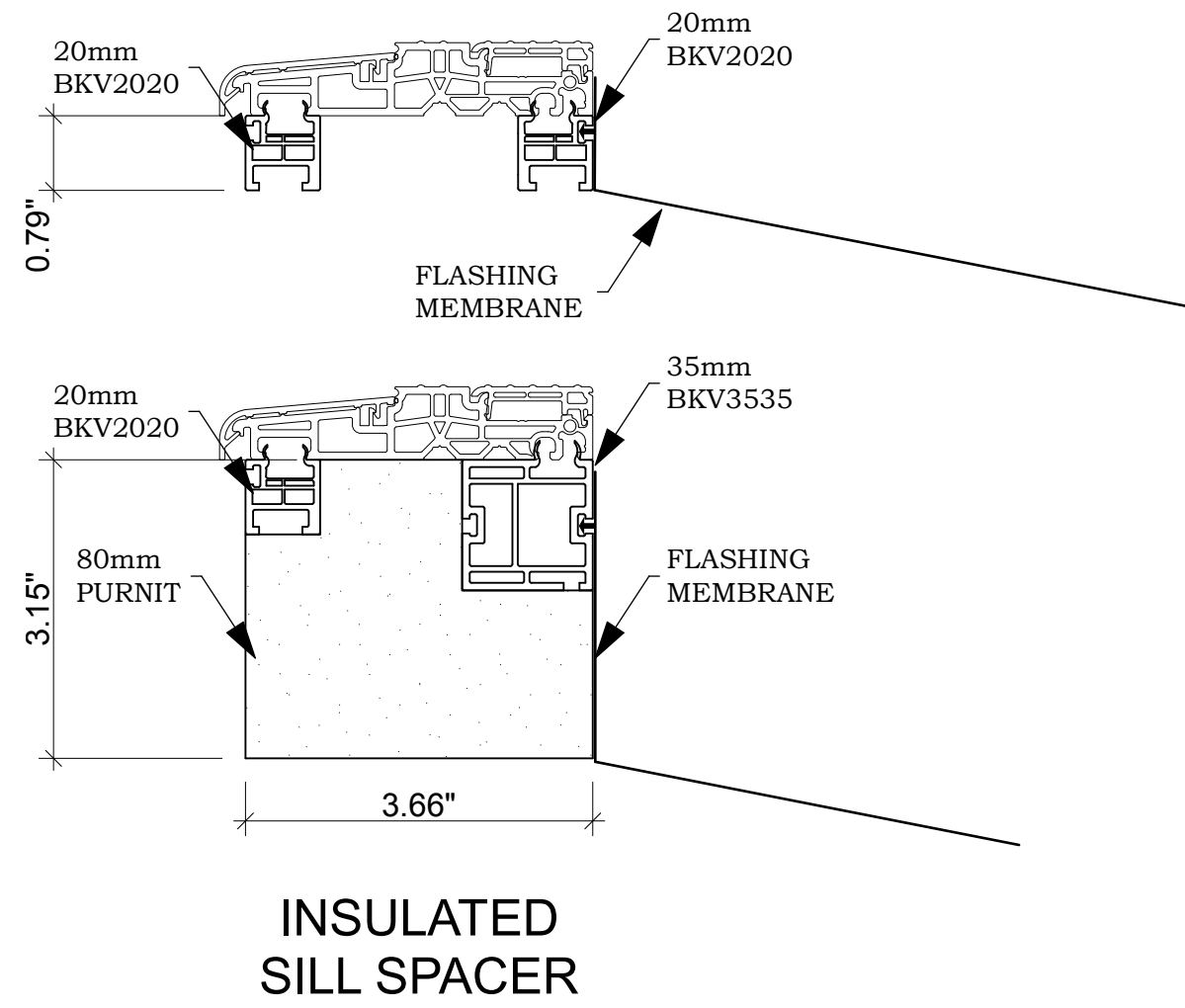
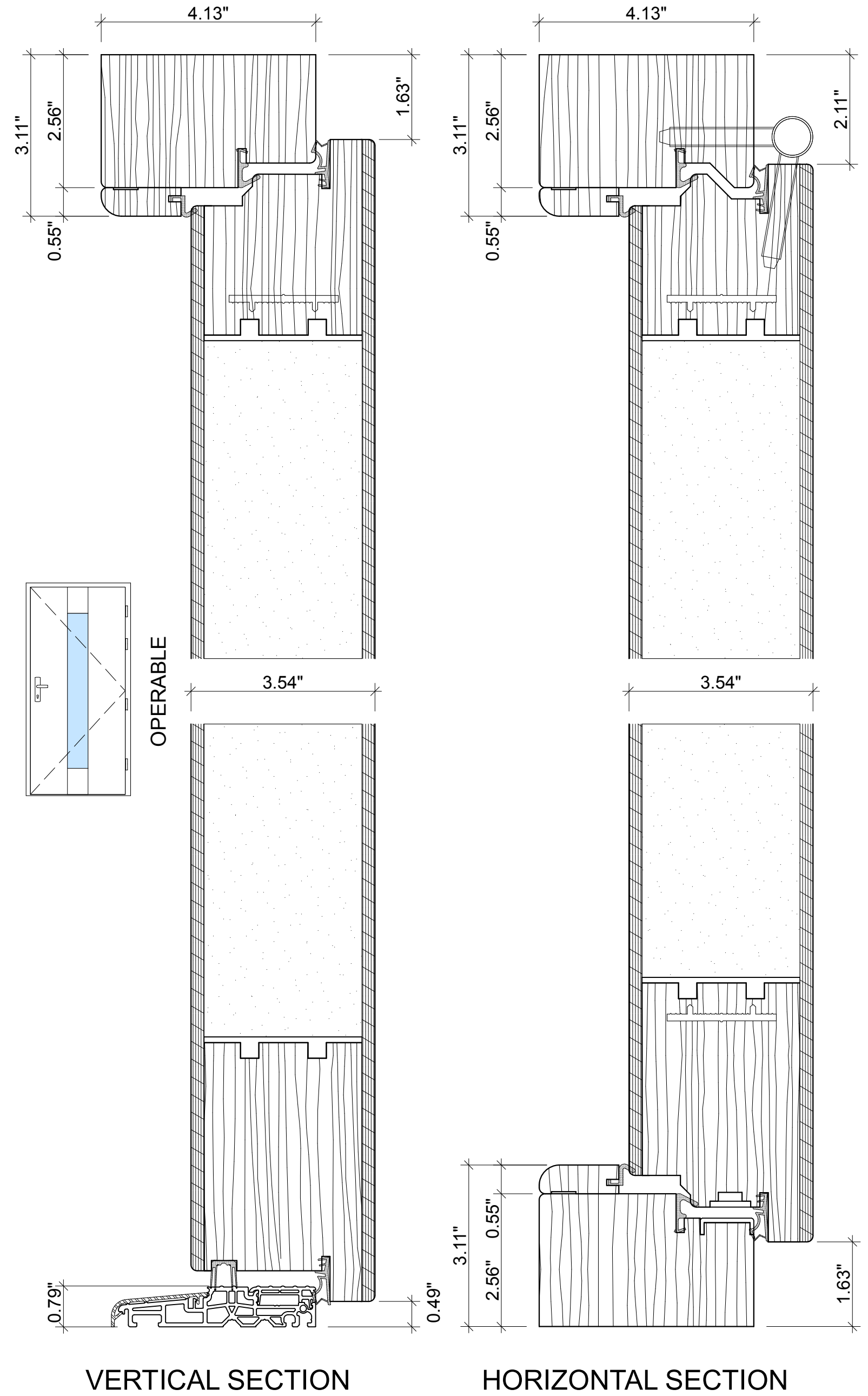


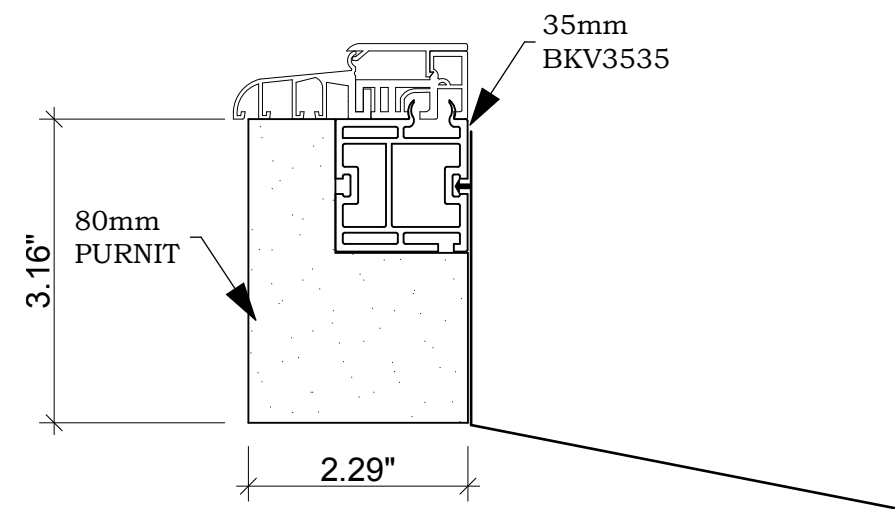
200624





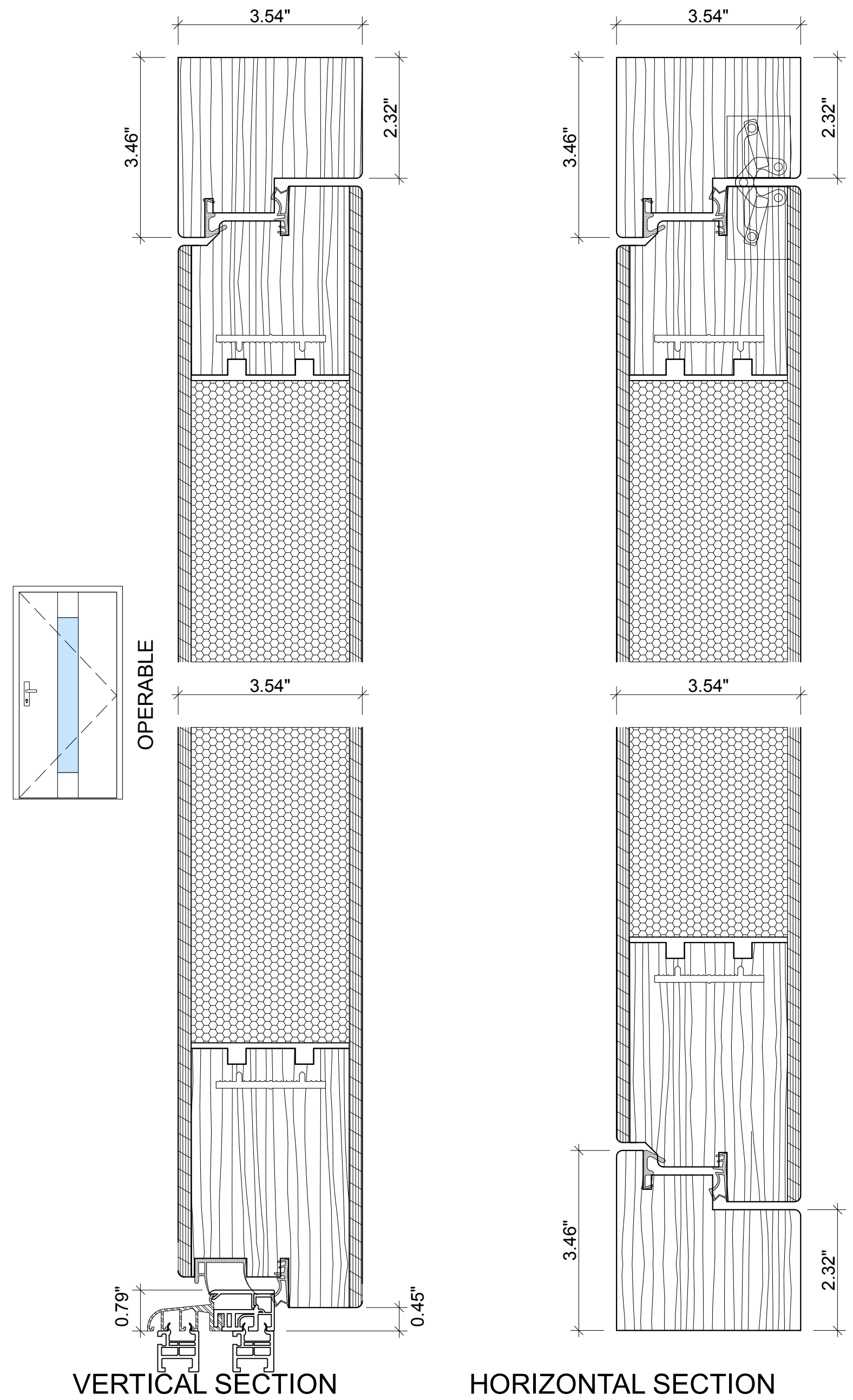
200624





INSULATED
SILL SPACER

200624



VERTICAL SECTION

HORIZONTAL SECTION