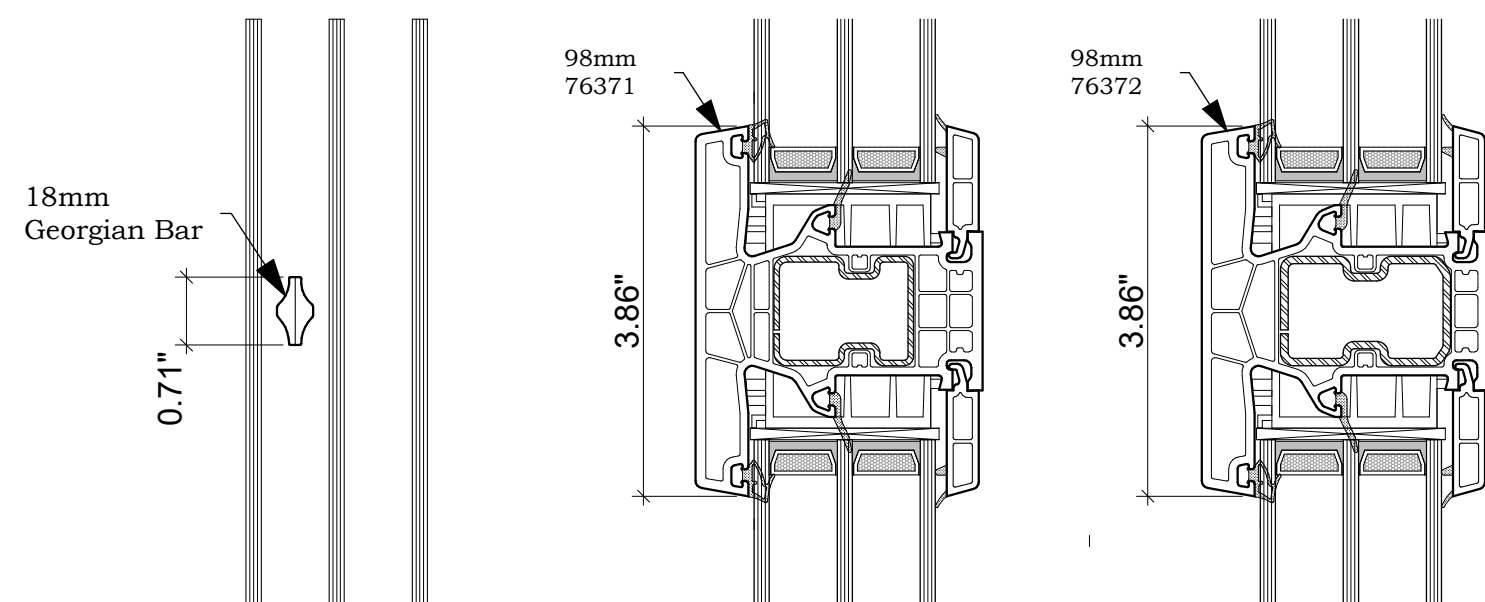
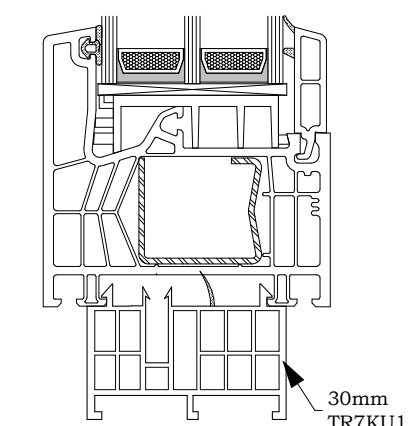
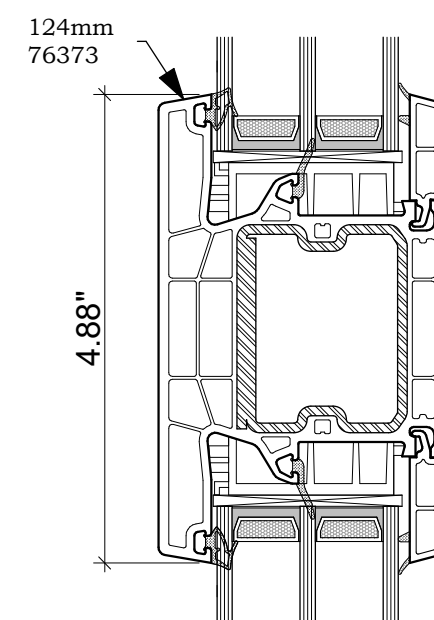


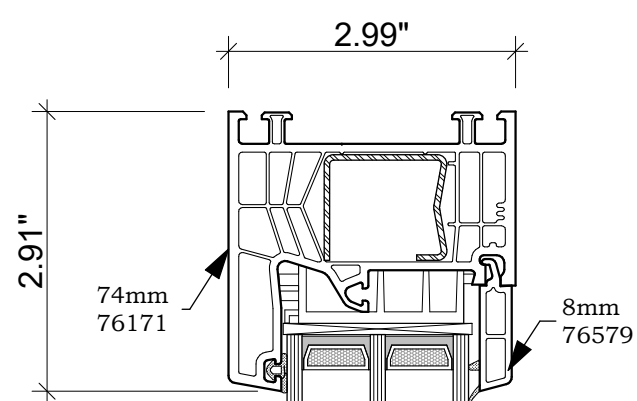
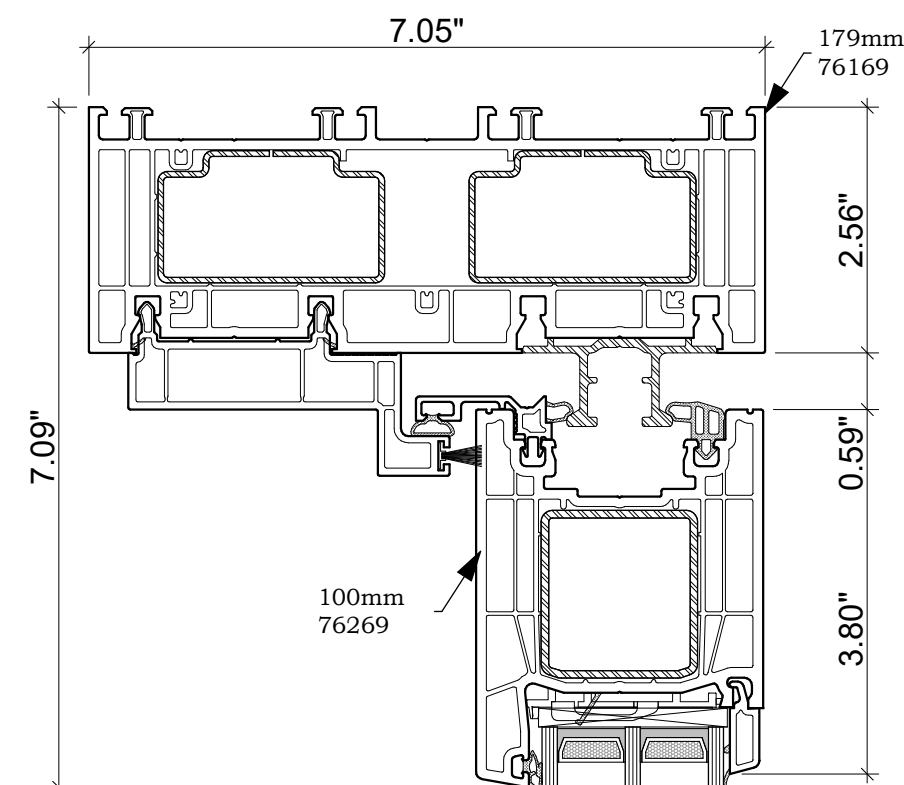
SILL



GLAZING BARS & FIXED MULLIONS

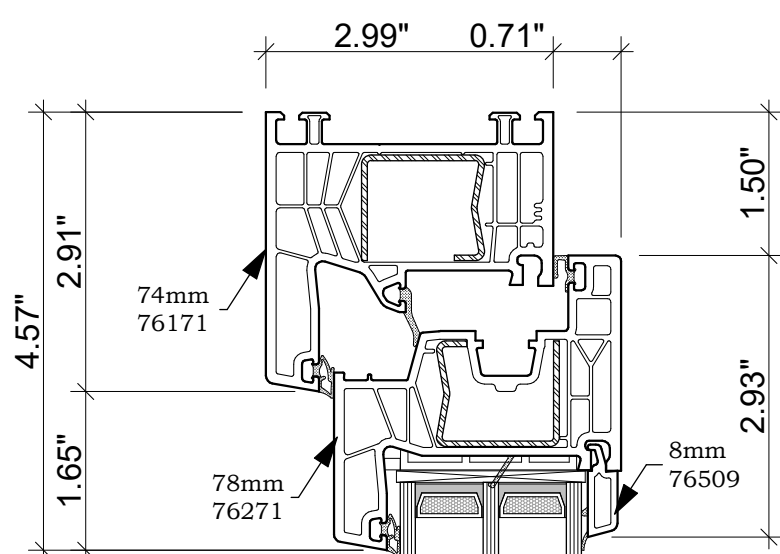


SILL SPACER



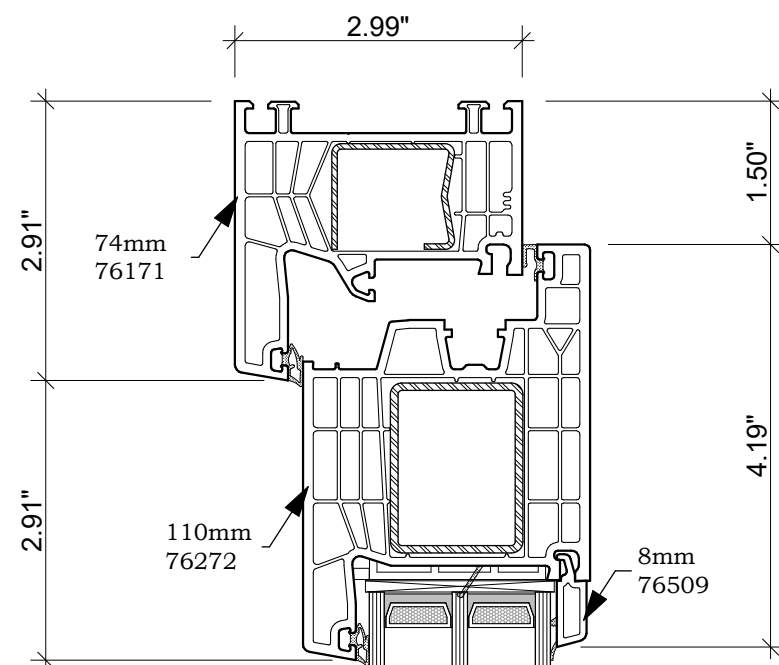
FIXED

FIXED WINDOW



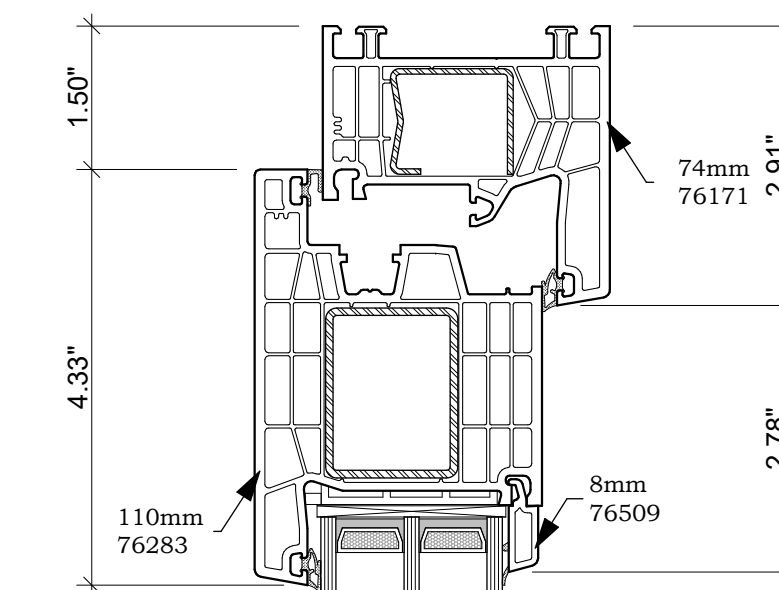
OPERABLE

TILT / TURN WINDOW



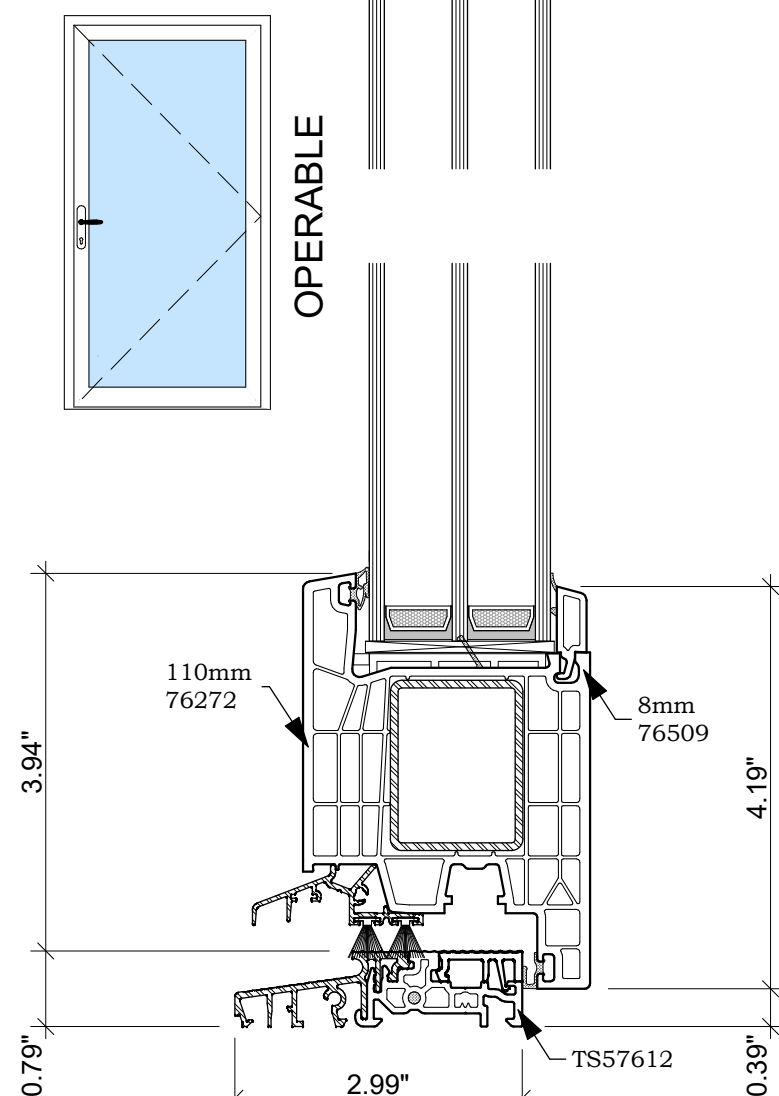
OPERABLE

INSWING DOOR

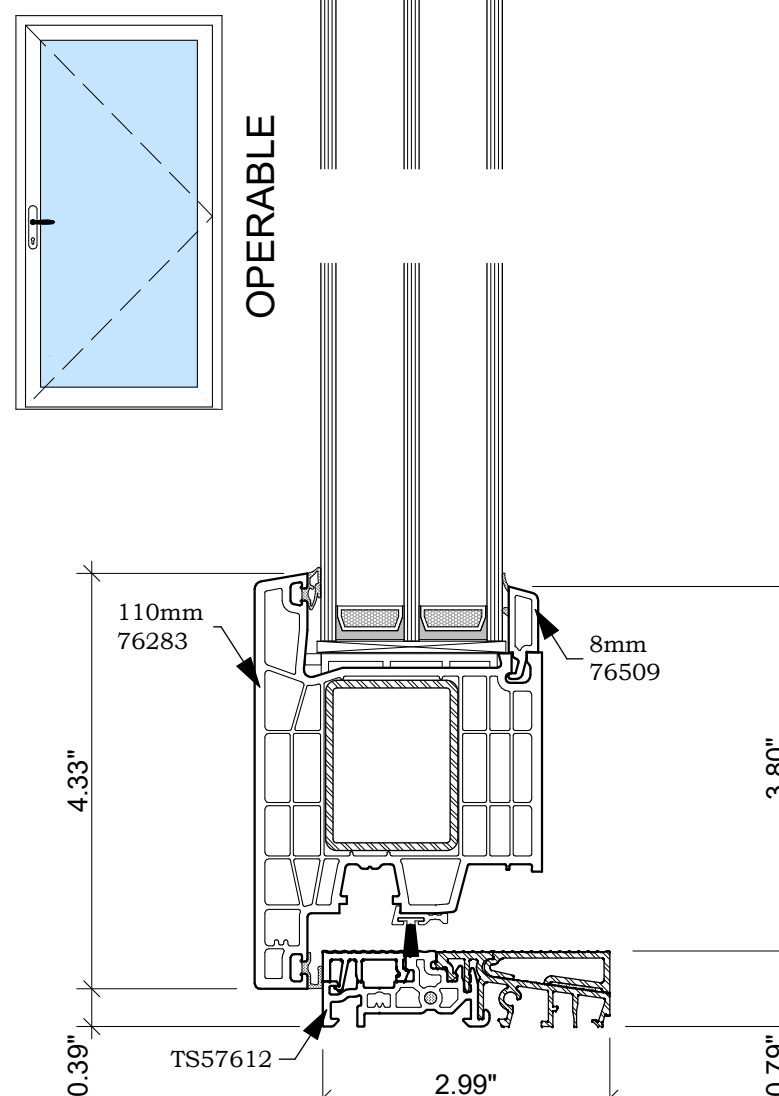


OPERABLE

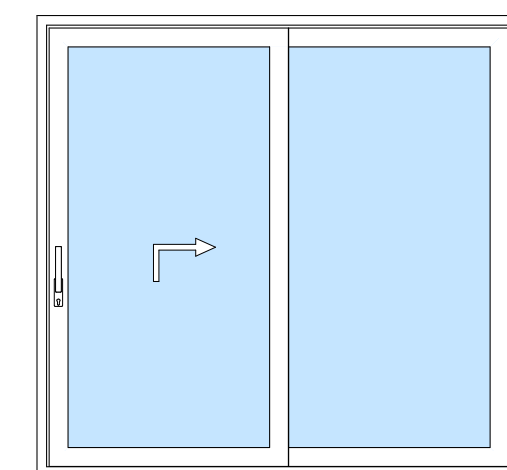
OUTSWING DOOR



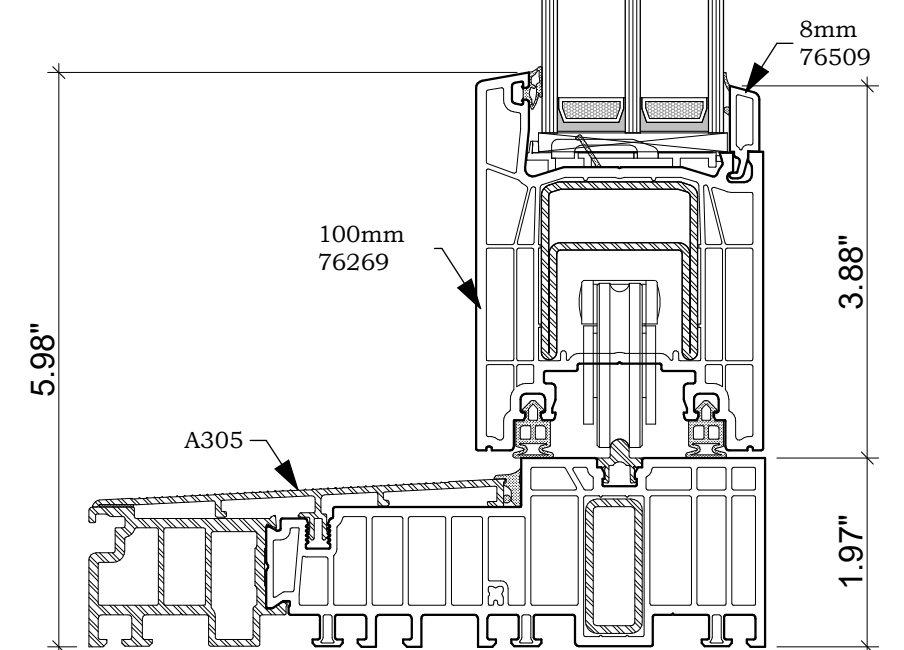
INSWING DOOR



OUTSWING DOOR



OPERABLE



LIFT/SLIDE DOOR



SUBLIME
WINDOWS

Tel: 413 829 7923

OPTIMUM SYSTEM
COMMON WINDOWS & DOORS