

## Synego

## Thermal Performance Report

Date: 2/27/2024  
 Type: Fixed Window  
 Glass: 48mm Optitherm S3 (#2, #5), 4/18/4/18/4

### North American Standard

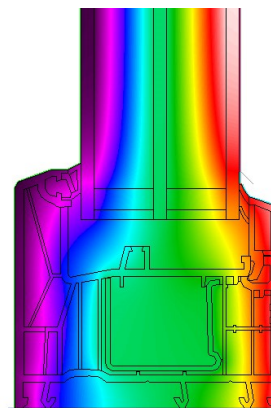
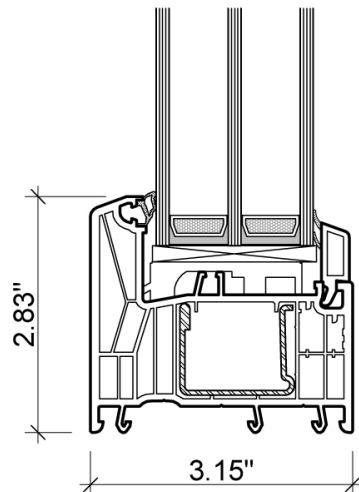
Performance values modeled with LBNL THERM & Window7 per NFRC 100 & 200  
 47" x 59" Window size @ standard 0°F exterior temperature

Glass:	$U_g = .126$ Btu/hr-ft <sup>2</sup> F	SHGC = .47	VLT = .70	
Window:	$U_w = .154$ Btu/hr-ft <sup>2</sup> F	SHGC = .38	VLT = .56	CR = 78

### European Standard

Performance values modeled with LBNL THERM & Window7 per ISO 673 / EN 673  
 48" x 58" Window size @ standard 32°F exterior temperature

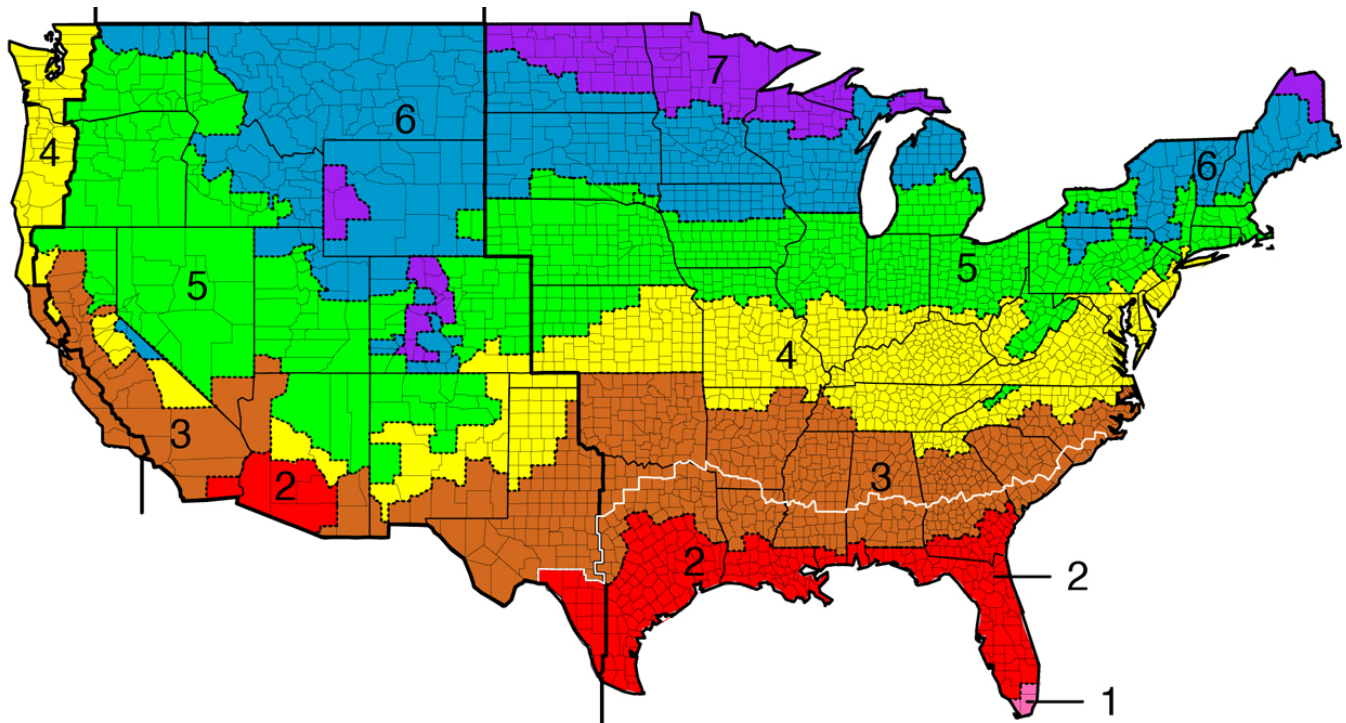
Frame:	$U_f = .218$ Btu/hr-ft <sup>2</sup> F
Spacer:	$\Psi = .0149$ Btu/hr-ft <sup>2</sup> F
Glass:	$U_g = .097$ Btu/hr-ft <sup>2</sup> F
Window:	$U_w = .133$ Btu/hr-ft <sup>2</sup> F



Synego Thermal Performance Report

### Climate Specific Performance

Performance values modeled with LBNL THERM & Window7 per ISO 673 / EN 673  
48" x 58" Window size @ climate specific winter exterior temperatures



Frame:  $U_f = .216$  Btu/hr-ft<sup>2</sup>F  
 Spacer:  $\Psi = .0147$  Btu/hr-ft-F  
 Glass: SHGC = .47

Climate Zone	Glass U-Value Btu/hr-ft <sup>2</sup> F	Window U-Value Btu/hr-ft <sup>2</sup> F
Zone 7 (10°F)	.112	.144
Zone 6 (25°F)	.103	.136
Zone 5 (28°F)	.100	.134
Zone 4 (36°F)	.095	.131