

Synego

Thermal Performance Report

Date: 2/27/2024
 Type: Tilt / Turn Window
 Glass: 48mm Optitherm S3 (#2, #5), 4/18/4/18/4

North American Standard

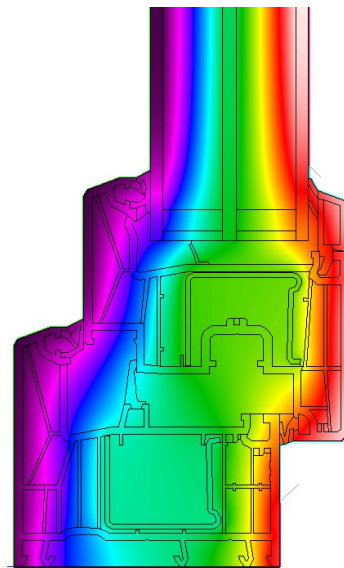
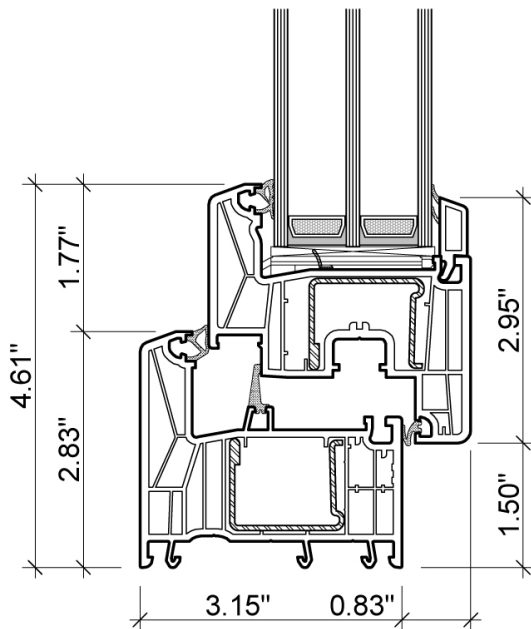
Performance values modeled with LBNL THERM & Window7 per NFRC 100 & 200
 47" x 59" Window size @ standard 0°F exterior temperature

Glass:	$U_g = .126$ Btu/hr-ft ² F	SHGC = .47	VLT = .70	
Window:	$U_w = .161$ Btu/hr-ft ² F	SHGC = .32	VLT = .47	CR = 79

European Standard

Performance values modeled with LBNL THERM & Window7 per ISO 673 / EN 673
 48" x 58" Window size @ standard 32°F exterior temperature

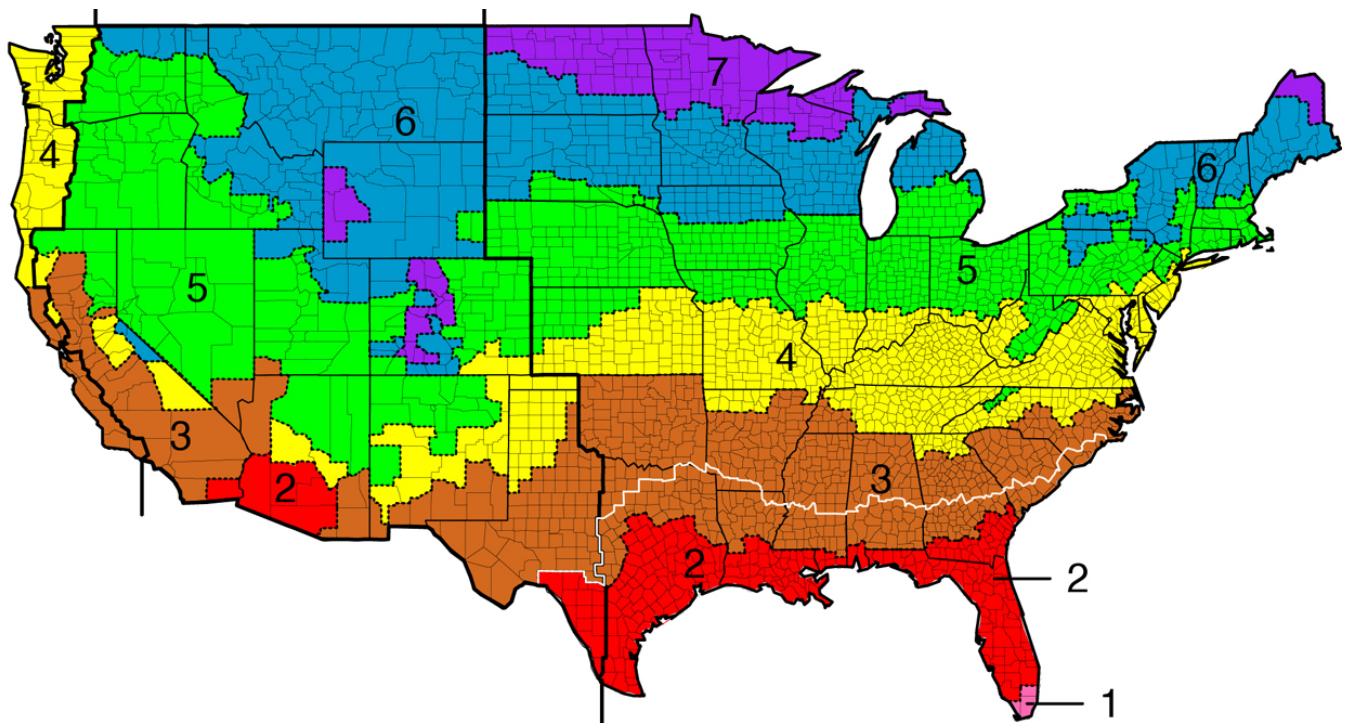
Frame:	$U_f = .203$ Btu/hr-ft ² F
Spacer:	$\Psi = .0146$ Btu/hr-ft-F
Glass:	$U_g = .097$ Btu/hr-ft ² F
Window:	$U_w = .142$ Btu/hr-ft ² F



Synego Thermal Performance Report

Climate Specific Performance

Performance values modeled with LBNL THERM & Window7 per ISO 673 / EN 673
48" x 58" Window size @ climate specific winter exterior temperatures



Frame: $U_f = .200$ Btu/hr.ft²F
 Spacer: $\Psi = .0146$ Btu/hr.ft.F
 Glass: SHGC = .47

Climate Zone	Glass U-Value Btu/hr.ft ² F	Window U-Value Btu/hr.ft ² F
Zone 7 (10°F)	.112	.151
Zone 6 (25°F)	.103	.145
Zone 5 (28°F)	.100	.143
Zone 4 (36°F)	.095	.140