

## MB-86 SI

## Thermal Performance Report

Date: 6/2/2023  
 Type: Fixed Window  
 Glass: 48mm Optitherm S3 (#2, #5), 4/18/4/18/4

### North American Standard

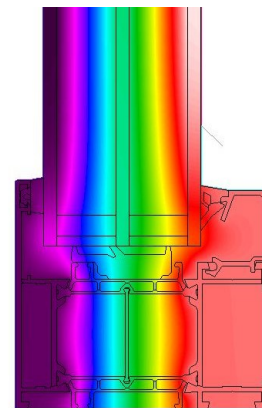
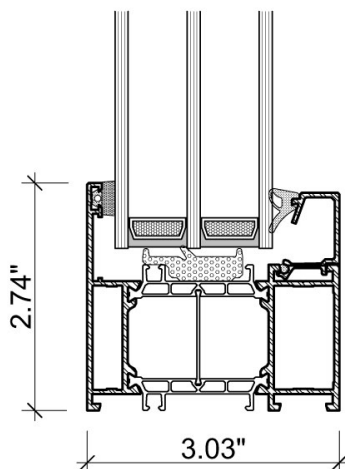
Performance values modeled with LBNL THERM & Window7 per NFRC 100 & 200  
 47" x 59" Window size @ standard 0°F exterior temperature

Glass:	$U_g = .126$ Btu/hr-ft <sup>2</sup> F	SHGC = .47	VLT = .70	
Window:	$U_w = .148$ Btu/hr-ft <sup>2</sup> F	SHGC = .38	VLT = .56	CR = 69

### European Standard

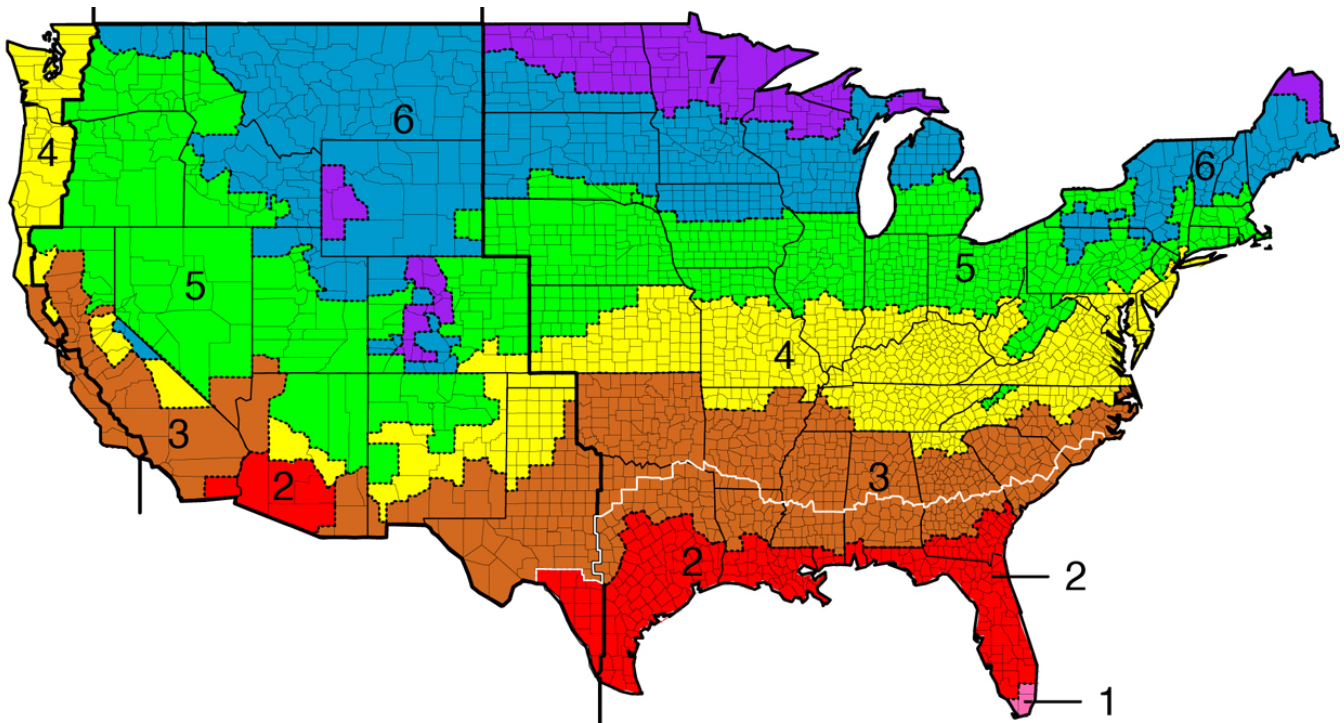
Performance values modeled with LBNL THERM & Window7 per ISO 673 / EN 673  
 48" x 58" Window size @ standard 32°F exterior temperature

Frame:	$U_f = .191$ Btu/hr-ft <sup>2</sup> F
Spacer:	$\Psi = .0147$ Btu/hr-ft-F
Glass:	$U_g = .097$ Btu/hr-ft <sup>2</sup> F
Window:	$U_w = .127$ Btu/hr-ft <sup>2</sup> F



## Climate Specific Performance

Performance values modeled with LBNL THERM & Window7 per ISO 673 / EN 673  
48" x 58" Window size @ climate specific winter exterior temperatures



Frame:  $U_f = .244$  Btu/hr-ft<sup>2</sup>F

Spacer:  $\Psi = .0034$  Btu/hr-ft-F

Glass: SHGC = .47

Climate Zone	Glass U-Value Btu/hr-ft <sup>2</sup> F	Window U-Value Btu/hr-ft <sup>2</sup> F
Zone 7 (10°F)	.112	.111
Zone 6 (25°F)	.103	.103
Zone 5 (28°F)	.100	.103
Zone 4 (36°F)	.095	.103